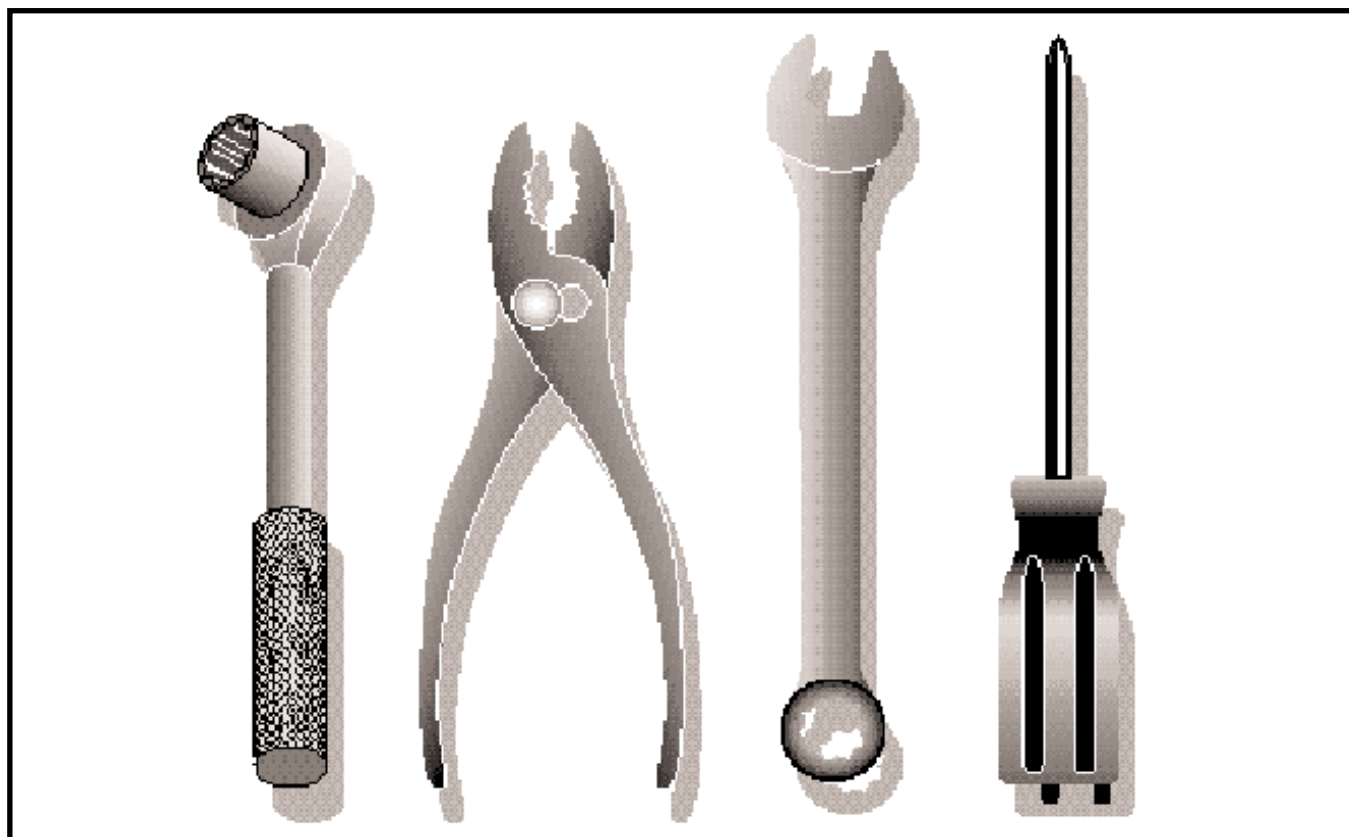


Snow Thrower

924 SBE

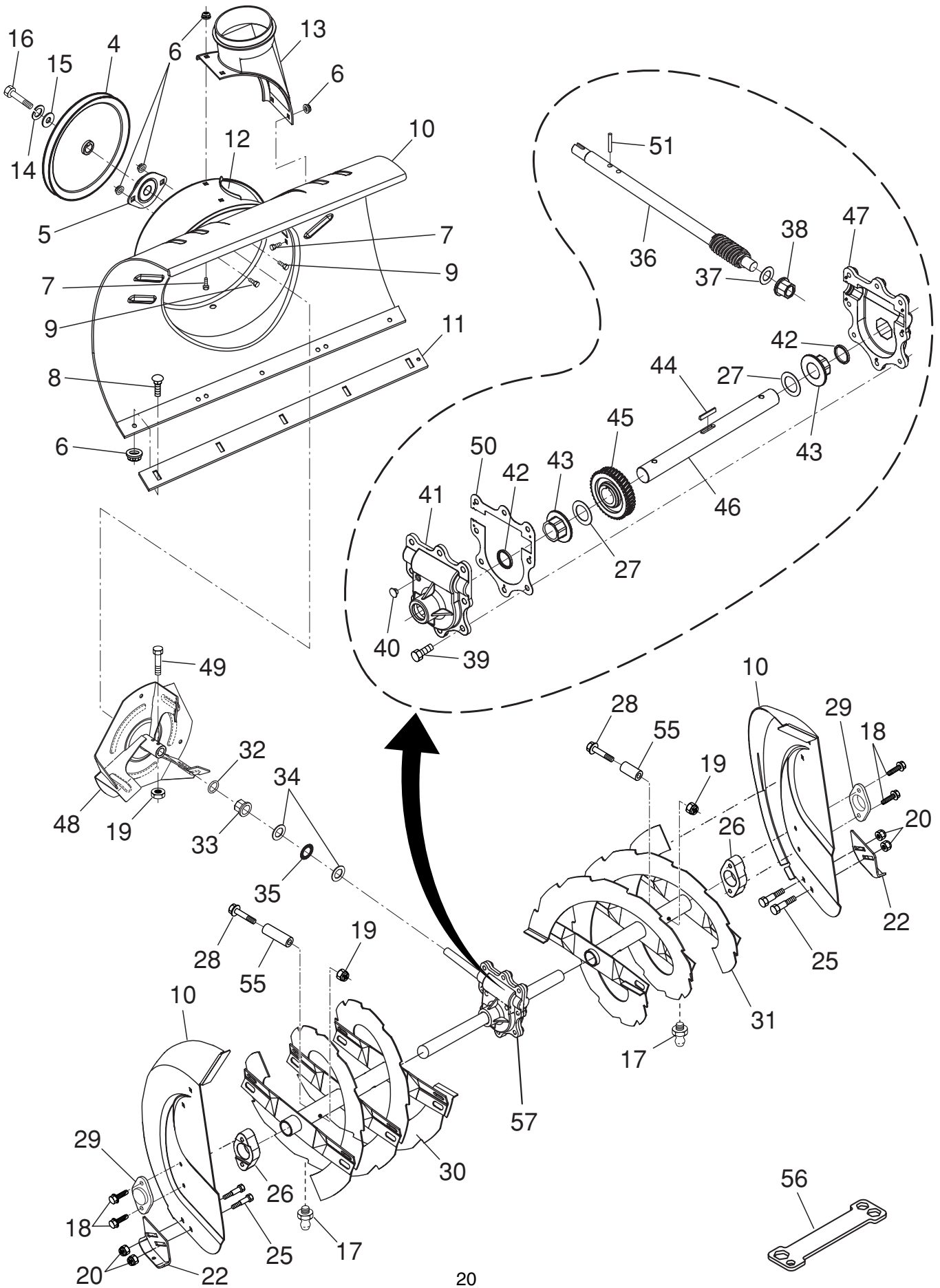
96193001500



REPAIR PARTS

AUGER HOUSING / IMPELLER ASSEMBLY

SNOW THROWER - MODEL NO. 924SBE (96193001500), PRODUCT NO. 961 93 00-15



REPAIR PARTS**AUGER HOUSING / IMPELLER ASSEMBLY****SNOW THROWER - MODEL NO. 924SBE (96193001500), PRODUCT NO. 961 93 00-15**

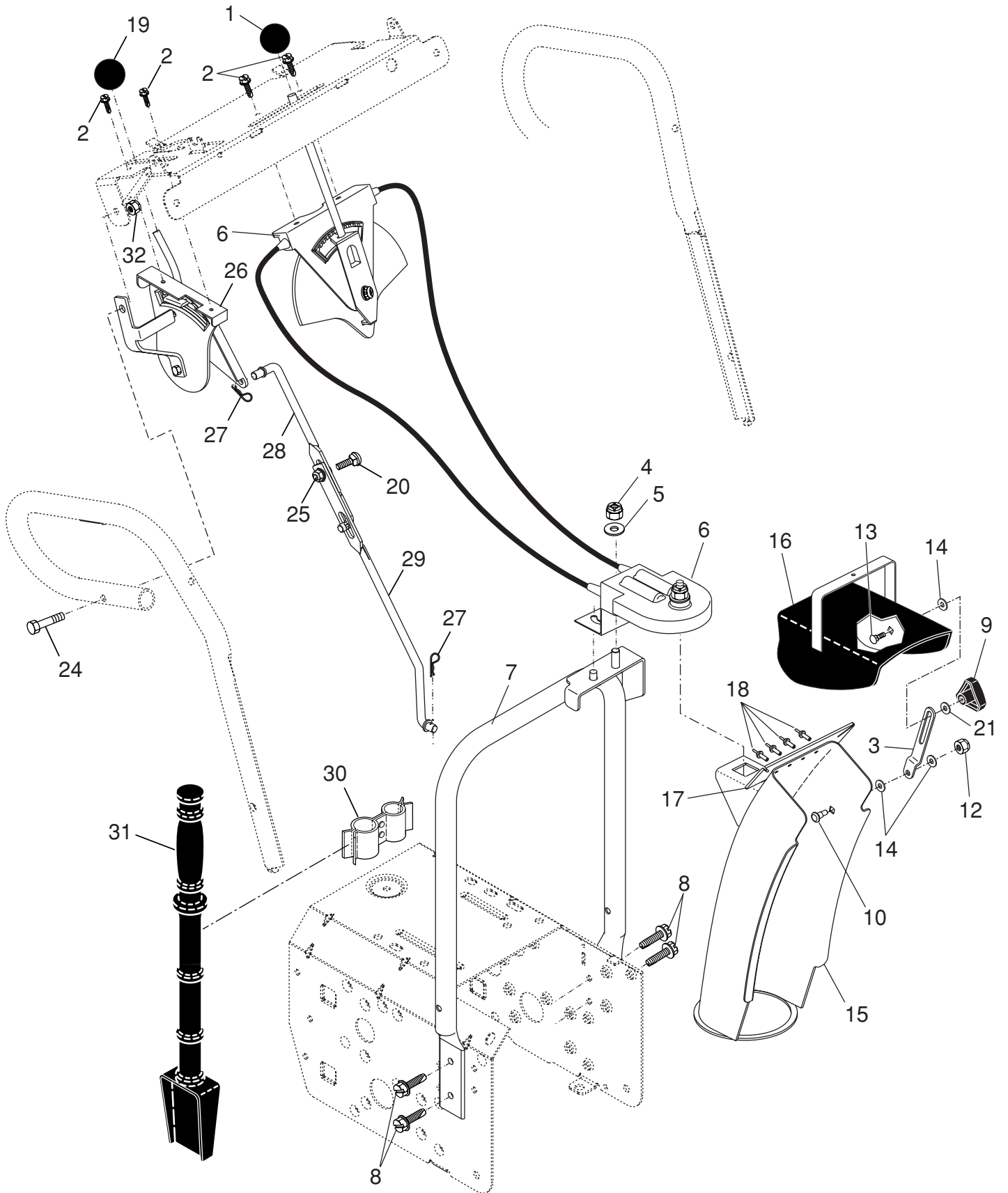
| KEY PART NO. | NO. | DESCRIPTION | KEY PART NO. | NO. | DESCRIPTION |
|---------------------|--------------|---|---------------------|--------------|--------------------------------|
| 4 | 532 19 10-79 | Pulley, Impeller | 31 | 532 40 78-26 | Auger Assembly, LH |
| 5 | 532 18 89-09 | Bearing Assembly, Flange | 32 | 532 40 77-68 | O-Ring |
| 6 | 532 19 85-41 | Nut, Hex Flange 5/16-18 | 33 | 532 40 77-69 | Bushing, Flange 3/4 |
| 7 | 532 18 03-55 | Bolt, Flat Head, Carriage 5/16-18 x 5/8 | 34 | 532 17 46-81 | Washer, Thrust 3/4 |
| 8 | 872 27 05-05 | Bolt, Carriage 5/16-1 8 x 5/8 | 35 | 532 17 46-84 | Bearing, Thrust 3/4 |
| 9 | 532 19 98-79 | Bolt | 36 | 532 40 77-57 | Shaft, Impeller |
| 10 | 532 40 78-80 | Housing, Auger | 37 | 532 17 46-83 | Washer, Thrust 5/8 |
| 11 | 532 40 78-25 | Bar, Scraper | 38 | 532 40 77-58 | Bushing, Flange 5/8 |
| 12 | 532 18 40-95 | Bracket, Corner Discharge | 39 | 532 40 77-67 | Screw, Hex Head 5/16-18 x 3/4 |
| 13 | 532 17 53-22 | Base, Discharge Chute | 40 | 532 40 77-60 | Plug, Case |
| 14 | 532 19 85-52 | Washer, Lock 5/16 | 41 | 532 40 77-61 | Housing, Gearbox, RH |
| 15 | 819 11 15-07 | Washer, Flat | 42 | 532 40 77-70 | Seal, Oil |
| 16 | 874 95 05-12 | Screw, Hex Head 5/16-18 x 3/4 | 43 | 532 40 77-62 | Bushing, Flange, 1" |
| 17 | 532 40 56-37 | Grease Fitting | 44 | 532 18 92-82 | Key, Square 1/4 x 1/4 x 7/8 |
| 18 | 532 17 95-82 | Screw, Hex Head 5/16 x 1 | 45 | 532 40 77-63 | Gear, Worm |
| 19 | 873 80 04-00 | Nut, Hex Lock 1/4-20 | 46 | 532 40 77-64 | Shaft, Auger |
| 20 | 532 19 85-41 | Nut, Hex Lock 5/16-18 | 47 | 532 40 77-65 | Housing, Gearbox, LH |
| 22 | 532 40 78-34 | Skid Plate, Heavy Duty | 48 | 532 18 41-05 | Impeller Assembly |
| 25 | 872 27 05-06 | Bolt, Shoulder 1/4-20 | 49 | 874 78 04-26 | Screw, Hex Head 1/4-20 x 1-5/8 |
| 26 | 532 18 79-25 | Bearing, Auger | 50 | 532 40 77-66 | Gasket, Gearbox |
| 27 | 532 17 46-97 | Washer, Thrust, 1" | 51 | 532 18 42-05 | Pin, Roll 3/16 x 1-1/8 |
| 28 | 532 19 86-36 | Bolt, Shear | 55 | 532 19 86-38 | Spacer |
| 29 | 532 18 81-70 | Bearing Retainer, Plastic | 56 | 532 18 06-84 | Multi-Wrench |
| 30 | 532 40 78-27 | Auger Assembly, RH | 57 | 532 19 67-10 | Gearbox Assembly |

NOTE: All component dimensions given in U.S. inches. 1 inch = 25.4 mm**IMPORTANT:** Use only Original Equipment Manufacturer (O.E.M.) replacement parts. Failure to do so could be hazardous, damage your snow thrower and void your warranty.

REPAIR PARTS

CONTROL PANEL / DISCHARGE CHUTE

SNOW THROWER - MODEL NO. 924SBE (96193001500), PRODUCT NO. 961 93 00-15



REPAIR PARTS

CONTROL PANEL / DISCHARGE CHUTE

SNOW THROWER - MODEL NO. **924SBE** (96193001500), PRODUCT NO. 961 93 00-15

| KEY NO. | PART NO. | DESCRIPTION |
|---------|--------------|---------------------------------|
| 1 | 532 18 33-34 | Knob, Lever |
| 2 | 817 50 10-10 | Screw #10-24 x 5/8 |
| 3 | 532 18 41-14 | Strap, Slotted |
| 4 | 873 80 06-00 | Nut, Lock 3/8-16 |
| 5 | 819 13 13-16 | Washer, Flat 3/8 |
| 6 | 532 40 49-74 | Control Assembly, Chute Rotater |
| 7 | 532 40 76-43 | Support, Pivot |
| 8 | 532 15 00-78 | Screw, Hex Head 5/16-18 x 3/4 |
| 9 | 532 19 19-38 | Knob, Deflector |
| 10 | 532 18 56-00 | Bolt, Shoulder |
| 12 | 532 19 17-30 | Nut, Lock 1/4-20 |
| 13 | 872 25 05-05 | Bolt, Carriage 5/16-18 |
| 14 | 532 17 92-46 | Washer, Nylon |
| 15 | 532 40 76-50 | Chute Assembly |
| 16 | 532 18 41-13 | Deflector Assembly |
| 17 | 532 17 91-45 | Seal, Deflector |
| 18 | 532 12 84-15 | Rivet, Blind |
| 19 | 532 18 33-33 | Knob, Speed Control Lever |
| 20 | 532 19 86-48 | Bolt, Carriage 5/16-18 x 3/4 |
| 21 | 532 15 54-15 | Washer, Flat 5/16 |
| 24 | 874 78 05-28 | Screw, Hex Head 5/16-18 x 1-3/4 |
| 25 | 532 19 85-41 | Nut, Lock 5/16-18 |
| 26 | 532 19 84-74 | Lever Assembly, Speed Control |
| 27 | 532 16 96-75 | Retainer, Hairpin |
| 28 | 532 18 04-45 | Rod, Upper, Speed Control |
| 29 | 532 18 77-16 | Rod, Lower, Speed Control |
| 30 | 532 19 27-10 | Clamp, Clean-Out Tool |
| 31 | 532 19 21-99 | Tool, Clean-Out |
| 32 | 532 75 11-53 | Nut, Lock 5/16-18 |

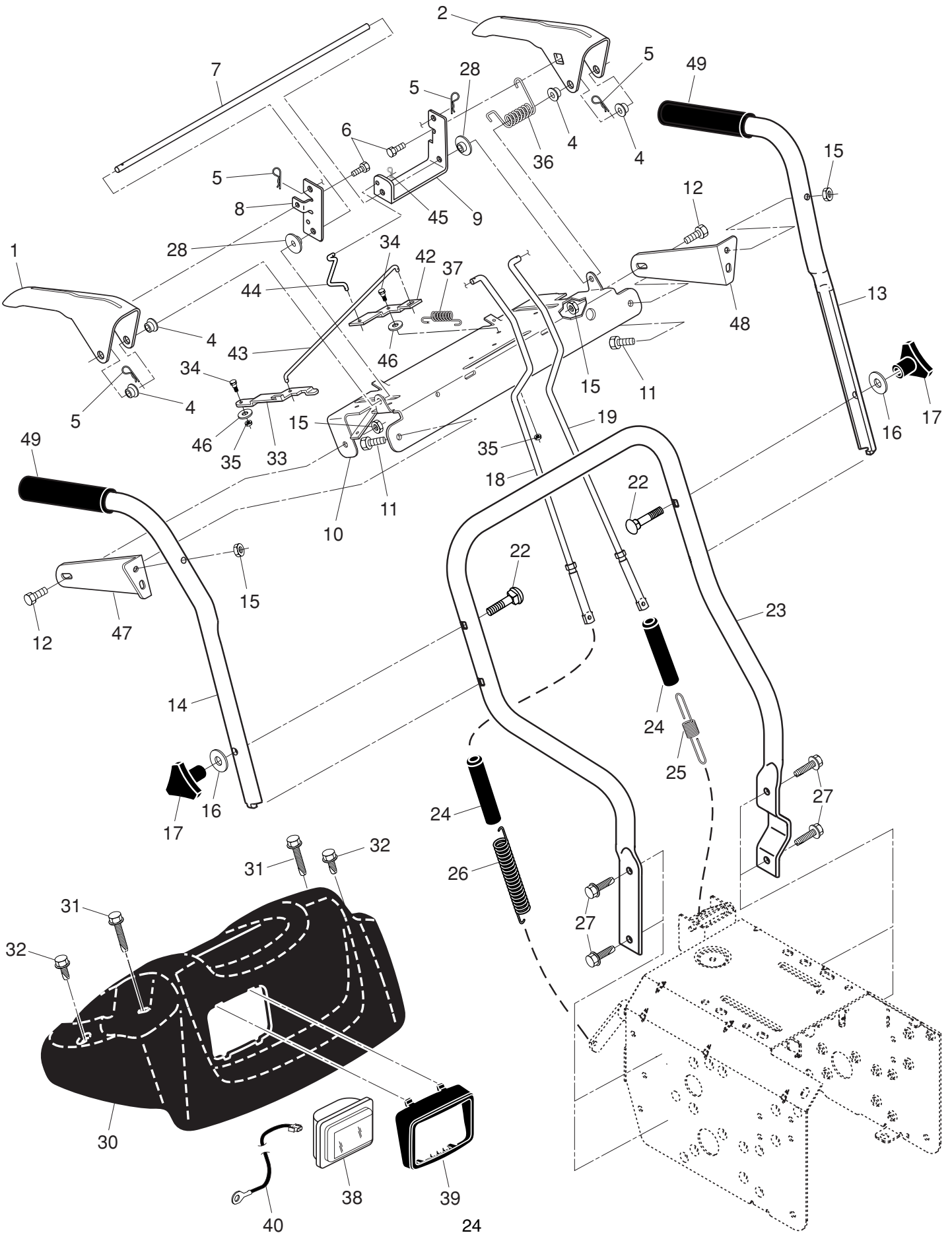
NOTE: All component dimensions given in U.S. inches. 1 inch = 25.4 mm

IMPORTANT: Use only Original Equipment Manufacturer (O.E.M.) replacement parts. Failure to do so could be hazardous, damage your snow thrower and void your warranty.

REPAIR PARTS

HANDLES

SNOW THROWER - MODEL NO. 924SBE (96193001500), PRODUCT NO. 961 93 00-15



REPAIR PARTS**HANDLES****SNOW THROWER - MODEL NO. 924SBE (96193001500), PRODUCT NO. 961 93 00-15**

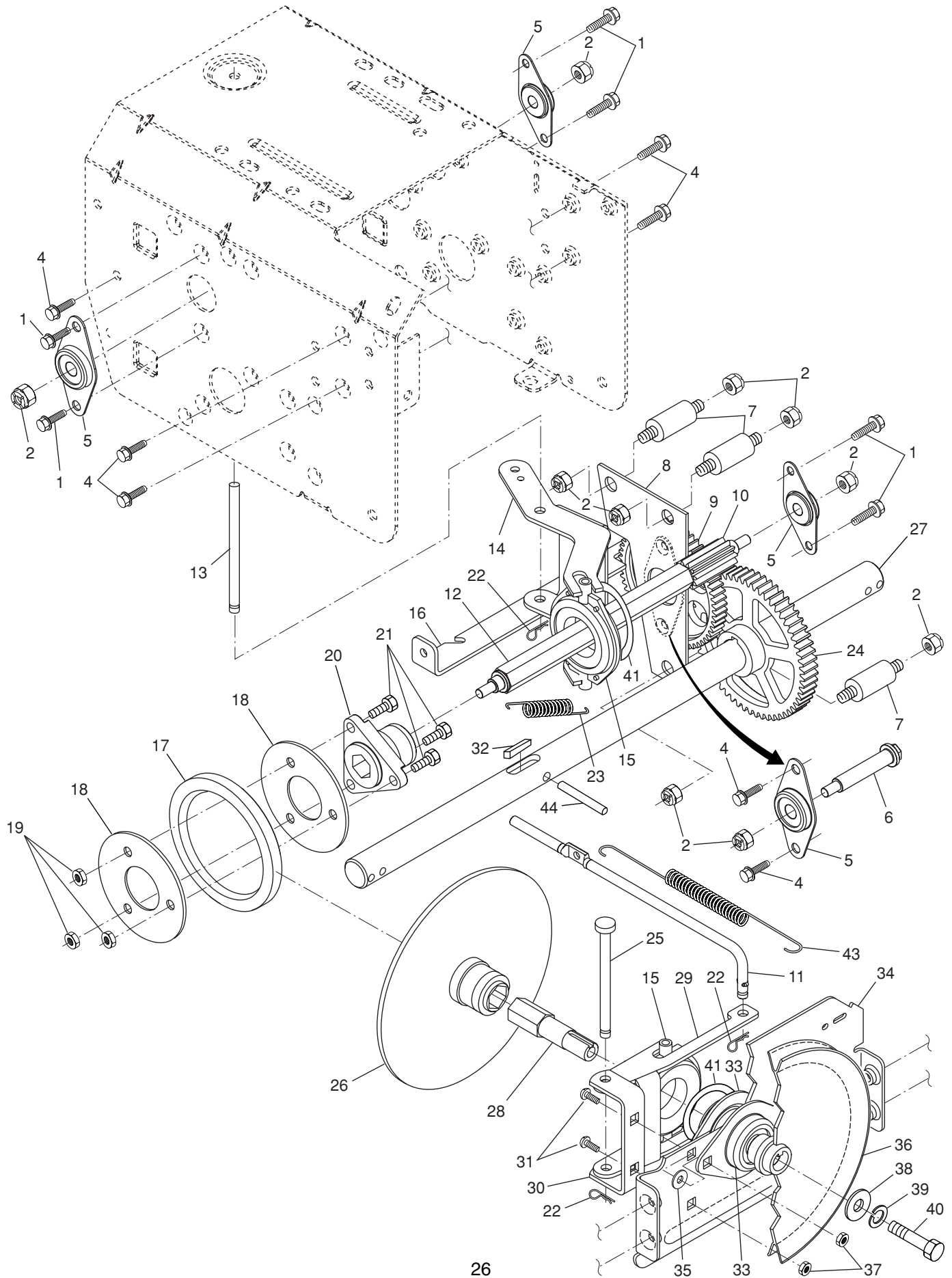
| KEY NO. | PART NO. | DESCRIPTION |
|---------|--------------|---|
| 1 | 532 40 76-49 | Lever, Auger Control, RH |
| 2 | 532 40 76-48 | Lever, Traction Drive Control, LH |
| 4 | 532 17 88-88 | Bushing, Flange |
| 5 | 532 16 96-75 | Retainer, Hairpin |
| 6 | 817 06 04-08 | Screw, Hex Head |
| 7 | 532 17 86-52 | Rod, Interlock |
| 8 | 532 19 95-76 | Arm, Impeller Rod |
| 9 | 532 19 95-75 | Arm, Traction Rod |
| 10 | 532 19 95-31 | Panel, Control |
| 11 | 874 78 05-24 | Screw, Hex Head 5/16-18 x 1-1/2 |
| 12 | 874 78 05-12 | Screw, Hex Head 5/16-18 x 1-3/4 |
| 13 | 532 40 78-88 | Handle Tube, LH |
| 14 | 532 40 78-89 | Handle Tube, RH |
| 15 | 532 75 11-53 | Nut, Lock 5/16-18 |
| 16 | 819 13 13-16 | Washer, Flat 3/8 |
| 17 | 532 17 88-99 | Knob, Handle |
| 18 | 532 18 04-80 | Rod, Auger Control |
| 19 | 532 18 04-81 | Rod, Traction Control |
| 22 | 872 12 06-18 | Bolt, Carriage 3/8-16 x 2-1/4 |
| 23 | 532 18 40-87 | Handle Tube, Lower |
| 24 | 532 18 04-47 | Sleeve, Spring |
| 25 | 532 18 09-26 | Spring, Traction Drive |
| 26 | 532 17 86-69 | Spring, Auger Control |
| 27 | 817 00 06-16 | Screw, Hex Head 3/8-16 x 1 |
| 28 | 532 19 85-59 | Bushing, Pivot Lever |
| 30 | 532 18 33-46 | Console, Panel |
| 31 | 532 17 52-62 | Screw, Hex Head, Tapping #10-24 x 1-1/4 |
| 32 | 532 18 44-71 | Screw, Hex Head, Tapping #10-24 x 1/2 |
| 33 | 532 19 95-77 | Latch, Interlock |
| 34 | 532 18 35-18 | Bolt, Shoulder |
| 35 | 532 06 08-38 | Nut, Lock 1/4-20 |
| 36 | 532 17 88-31 | Spring, Torsion |
| 37 | 532 19 38-85 | Spring, Interlock |
| 38 | 532 18 09-27 | Headlight, Flood (Includes Bulb) |
| 39 | 532 17 86-68 | Bezel, Headlight |
| 40 | 532 17 87-70 | Harness, Headlight (Flood) |
| 42 | 532 19 95-78 | Lever, Interlock |
| 43 | 532 19 96-38 | Rod, Latch, Interlock |
| 44 | 532 19 63-38 | Rod, Arm, Interlock |
| 45 | 532 70 02-79 | Clip |
| 46 | 532 17 92-46 | Washer, Friction |
| 47 | 532 19 69-43 | Mounting Bracket, Handle, LH |
| 48 | 532 19 69-44 | Mounting Bracket, Handle, RH |
| 49 | 532 19 95-13 | Grip, Handle |

NOTE: All component dimensions given in U.S. inches. 1 inch = 25.4 mm**IMPORTANT:** Use only Original Equipment Manufacturer (O.E.M.) replacement parts. Failure to do so could be hazardous, damage your snow thrower and void your warranty.

REPAIR PARTS

DRIVE

SNOW THROWER - MODEL NO. 924SBE (96193001500), PRODUCT NO. 961 93 00-15



REPAIR PARTS**DRIVE****SNOW THROWER - MODEL NO. 924SBE (96193001500), PRODUCT NO. 961 93 00-15**

| KEY NO. | PART NO. | DESCRIPTION |
|---------|--------------|-------------------------------|
| 1 | 532 14 63-15 | Screw, Hex Head 5/16-18 x 3/4 |
| 2 | 532 75 11-53 | Nut, Lock 5/16-18 |
| 4 | 532 19 85-84 | Screw, Hex Head 5/16-18 x 1/2 |
| 5 | 532 18 00-17 | Bearing, Flange |
| 6 | 532 18 01-34 | Shaft, Auxiliary |
| 7 | 532 17 92-70 | Spacer, Plate |
| 8 | 532 19 29-07 | Plate, Auxiliary |
| 9 | 532 18 00-82 | Gear, Intermediate (12/58) |
| 10 | 532 18 00-65 | Gear, Pinion |
| 11 | 532 18 77-14 | Rod, Clutch |
| 12 | 532 18 00-66 | Shaft, Long, Hex |
| 13 | 532 17 88-07 | Pin, Pivot |
| 14 | 532 18 40-80 | Lever, Shifter / Wheel |
| 15 | 532 17 53-44 | Trunnion Bearing Assembly |
| 16 | 532 18 78-57 | Bracket, Pivot, Shift |
| 17 | 532 17 98-31 | Ring, Rubber Wheel |
| 18 | 532 19 95-09 | Plate, Rubber Wheel |
| 19 | 873 93 05-00 | Nut, Lock 5/16-18 |
| 20 | 532 17 86-13 | Hub, Rubber Wheel |
| 21 | 874 76 05-14 | Screw, Hex Head 5/16-18 x 7/8 |
| 22 | 532 08 51-79 | Retainer, Hairpin |
| 23 | 532 18 01-35 | Spring, Bias |
| 24 | 532 18 00-81 | Gear, Axle (58 Teeth) |
| 25 | 532 17 86-95 | Pin, Pivot Lever |
| 26 | 532 19 77-63 | Plate Assembly, Drive |
| 27 | 532 17 93-52 | Shaft, Axle |
| 28 | 532 19 77-64 | Shaft, Short Hex |
| 29 | 532 18 40-77 | Lever, Shifter Plate |
| 30 | 532 18 40-76 | Bracket, Shifter Support |
| 31 | 872 27 05-05 | Bolt, Carriage 5/16-18 x 5/8 |
| 32 | 532 18 92-82 | Key, Square 1/4 x 1/4 x 7/8 |
| 33 | 532 18 89-09 | Bearing, Flange |
| 34 | 532 18 40-75 | Plate, Drive Mounting |
| 35 | 532 18 25-04 | Spacer, Bearing |
| 36 | 532 19 10-80 | Pulley, Traction Drive |
| 37 | 532 19 85-41 | Nut, Lock 5/16-18 |
| 38 | 819 11 15-07 | Washer, Flat |
| 39 | 532 19 85-52 | Washer, Lock 5/16 |
| 40 | 874 95 05-12 | Screw, Hex Head 5/16-18 x 3/4 |
| 41 | 812 00 00-12 | Ring, Retaining |
| 43 | 532 17 90-95 | Spring, Return |
| 44 | 532 18 42-06 | Pin, Roll |

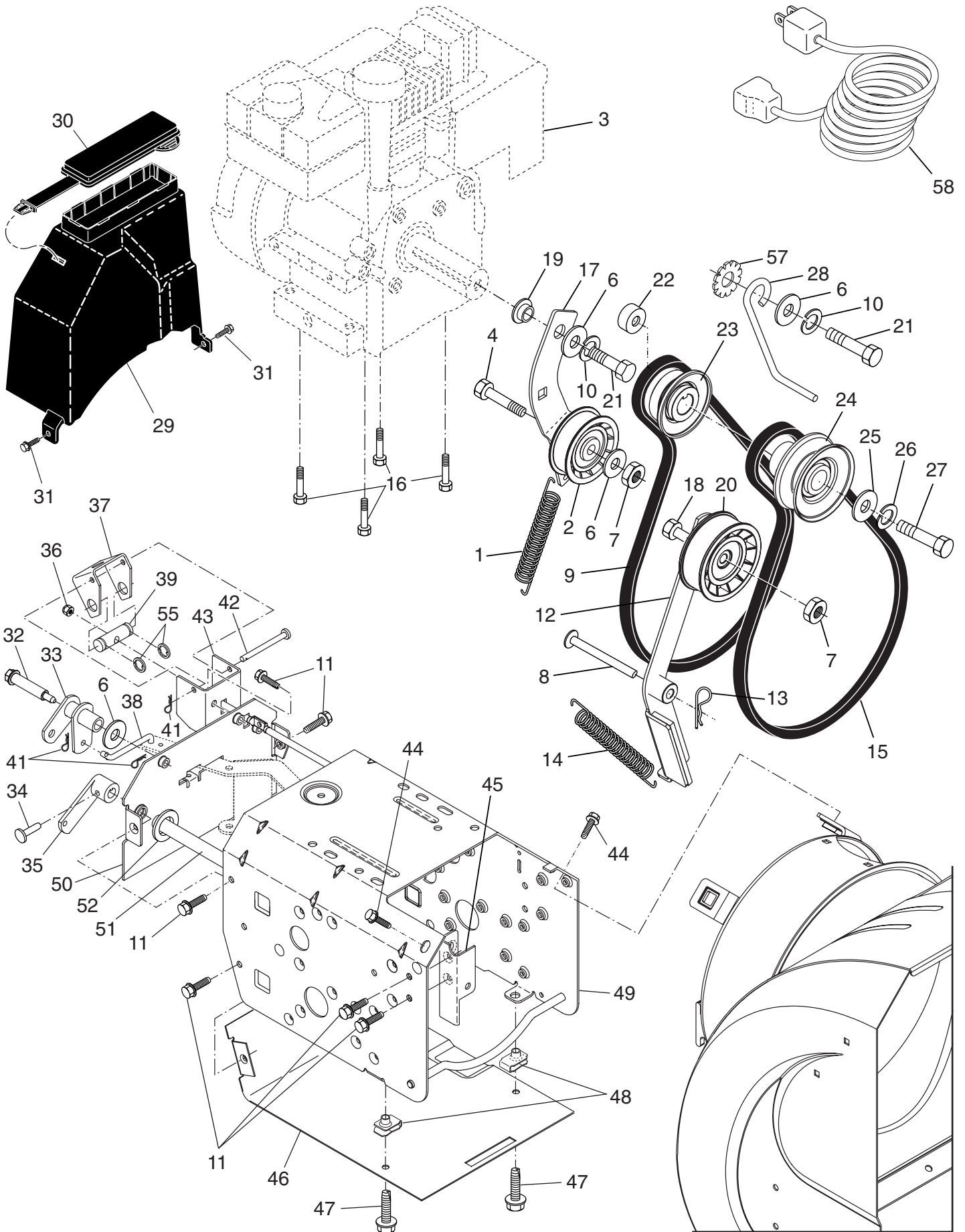
NOTE: All component dimensions given in U.S. inches. 1 inch = 25.4 mm

IMPORTANT: Use only Original Equipment Manufacturer (O.E.M.) replacement parts. Failure to do so could be hazardous, damage your snow thrower and void your warranty.

REPAIR PARTS

CHASSIS / ENGINE / PULLEYS

SNOW THROWER - MODEL NO. 924SBE (96193001500), PRODUCT NO. 961 93 00-15



REPAIR PARTS

CHASSIS / ENGINE / PULLEYS

SNOW THROWER - MODEL NO. **924SBE** (96193001500), PRODUCT NO. 961 93 00-15

| KEY NO. | PART NO. | DESCRIPTION | KEY NO. | PART NO. | DESCRIPTION |
|------------|---------------------|---|------------|--------------|--|
| 1 | 532 18 10-44 | Spring, Traction Idler | 27 | 532 85 10-84 | Screw, Hex Head 3/8-24 x 1-3/8 |
| 2 | 532 18 05-22 | Pulley, Idler (2-1/4) | 28 | 532 15 54-52 | Guide, Belt |
| 3 | - - - | Engine, Tecumseh, Model Number LH318SA (For engine service and replacement parts, call Tecumseh Products at 1-800-558-5402) | 29 | 532 19 22-13 | Belt Cover Assembly (Includes Toolbox Cover) |
| 4 | 874 78 05-20 | Screw, Hex Head 5/16-18 x 1-1/4 | 30 | 532 17 88-30 | Cover, Toolbox |
| 6 | 532 05 92-89 | Washer, Flat | 31 | 532 40 05-24 | Screw, Hex Head 1/4-20 x 1/2 |
| 7 | 532 16 67-85 | Nut, Jam, Lock 5/16-18 | 32 | 532 17 92-56 | Bolt, Shoulder 5/16-18 |
| 8 | 532 17 53-30 | Pin, Idler Pivot | 33 | 532 18 78-53 | Bellcrank Shifter |
| 9 | 532 17 90-92 | V-Belt, Traction Drive | 34 | 532 19 85-80 | Clevis Pin |
| 10 | 532 19 85-52 | Washer, Lock 5/16 | 35 | 532 40 54-85 | Arm, Auger Control |
| 11 | 532 19 85-84 | Screw, Hex Head 5/16-18 x 1/2 | 36 | 873 80 05-00 | Nut, Lock 5/16-18 |
| 12 | 532 17 92-59 | Impeller Arm / Pad Assembly | 37 | 532 18 40-86 | Bellcrank |
| 13 | 532 08 51-79 | Retainer, Hairpin | 38 | 532 18 71-01 | Link, Speed Control |
| 14 | 532 17 88-28 | Spring, Brake | 39 | 532 19 21-10 | Trunnion, Pivot Bracket |
| 15 | 532 40 80-10 | V-Belt, Impeller Drive | 41 | 532 70 02-79 | Hairpin, Cotter 3/32 x 1/2 |
| 16 | 532 15 04-06 | Screw, Hex Head 3/8-16 x 1-1/4 | 42 | 532 17 90-65 | Pin, Bellcrank |
| 17 | 532 18 48-04 | Arm, Idler | 43 | 532 18 40-85 | Bracket, Bellcrank |
| 18 | 874 78 05-24 | Screw, Hex Head 5/16-18 x 1-1/2 | 44 | 817 00 06-16 | Screw, Hex Head |
| 19 | 532 19 85-59 | Bushing, Idler Pivot | 45 | 532 18 40-74 | Pivot Bracket, Impeller Idler Arm |
| 20 | 532 18 05-23 | Pulley, Idler (2-3/4) | 46 | 532 18 40-84 | Pan, Frame Bottom |
| 21 | 874 61 05-16 | Screw, Hex Head 5/16-18 x 1 | 47 | 871 02 05-12 | Screw, Hex Head 5/16-18 x 3/4 |
| 22 | 532 17 93-71 | Spacer, Engine Pulley | 48 | 532 18 11-56 | Nut, Speed 5/16-18 |
| 23 | 532 18 04-78 | Pulley, Engine, Traction Drive | 49 | 532 40 76-42 | Frame Assembly |
| 24 | 532 17 91-57 | Pulley, Engine, Impeller Drive | 50 | 532 18 80-02 | Plate, Frame End |
| 25 | 532 40 00-26 | Washer, Flat 3/8 | 51 | 532 40 61-09 | Shaft, Auger Control |
| 26 | 532 85 02-63 | Washer, Lock, Helical 3/8 | 52 | 532 05 70-79 | Washer, Hardened |
| | | | 55 | 812 00 00-02 | Ring, Crescent |
| | | | 57 | 811 05 05-00 | Washer, Lock, External Tooth 5/16 |
| | | | 58 | 532 19 85-63 | Power Cord |

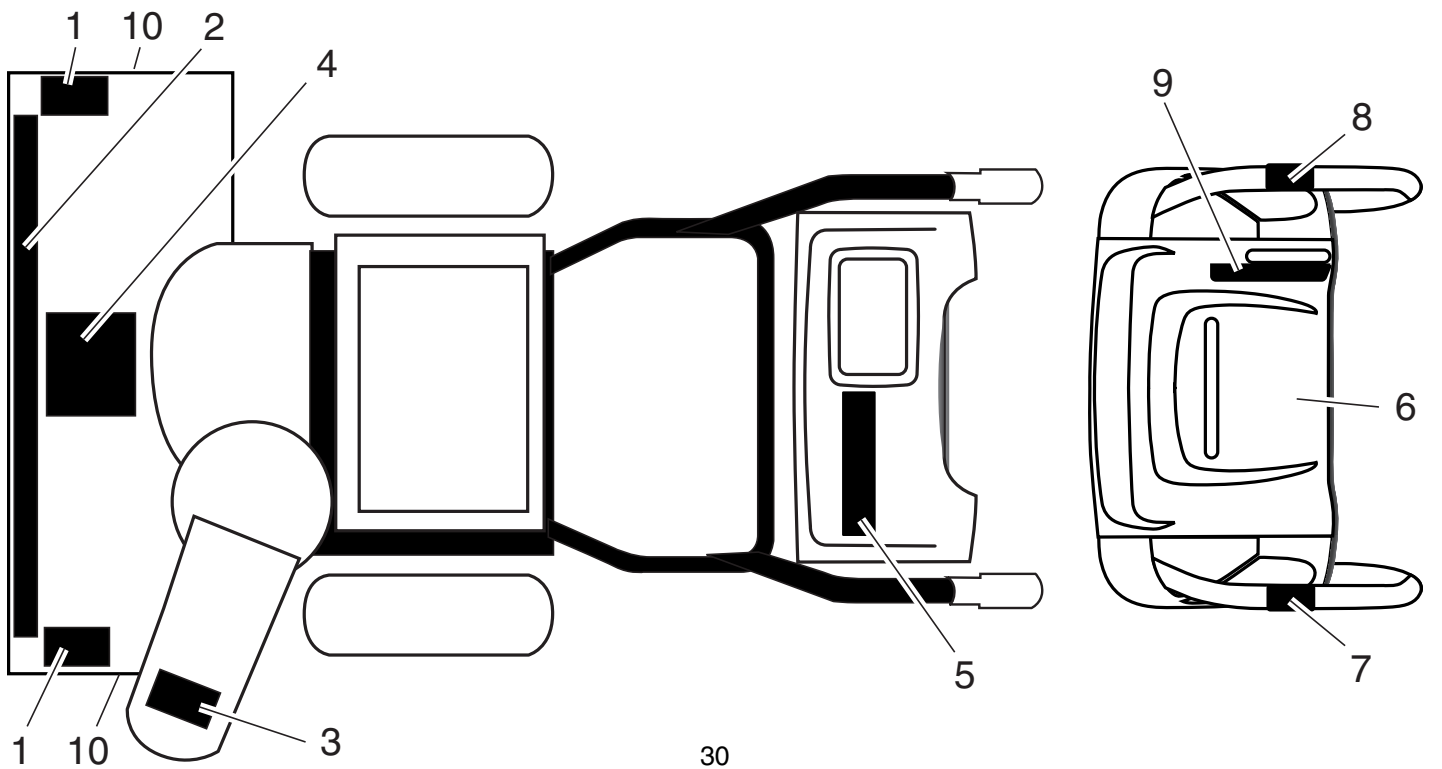
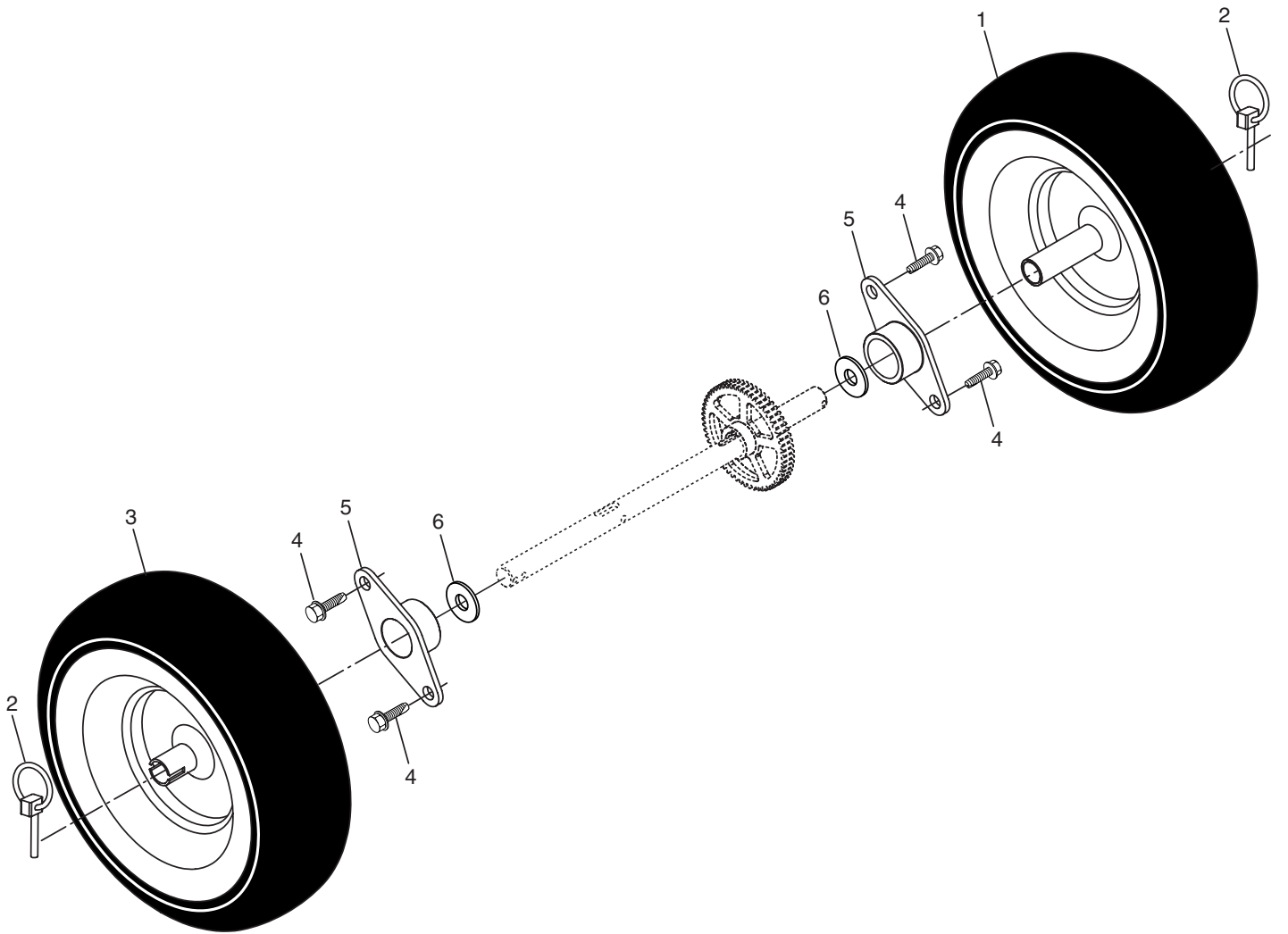
NOTE: All component dimensions given in U.S. inches. 1 inch = 25.4 mm

IMPORTANT: Use only Original Equipment Manufacturer (O.E.M.) replacement parts. Failure to do so could be hazardous, damage your snow thrower and void your warranty.

REPAIR PARTS

WHEELS / DECALS

SNOW THROWER - MODEL NO. 924SBE (96193001500), PRODUCT NO. 961 93 00-15



REPAIR PARTS

WHEELS / DECALS

SNOW THROWER - MODEL NO. **924SBE** (96193001500), PRODUCT NO. 961 93 00-15

| KEY NO. | PART NO. | DESCRIPTION |
|---------|--------------|-------------------------------|
| 1 | 532 18 78-31 | Wheel Assembly, 13", LH |
| 2 | 532 15 54-43 | Pin, Klik 1/4 |
| 3 | 532 18 78-66 | Wheel Assembly, 13", RH |
| 4 | 532 14 63-15 | Screw, Hex Head 5/16-18 x 5/8 |
| 5 | 532 17 98-30 | Bearing, Axle |
| 6 | 532 17 46-97 | Washer, Thrust (1") |

| KEY NO. | PART NO. | DESCRIPTION |
|---------|---------------------|--------------------------|
| 1 | 532 18 10-38 | Decal, Danger |
| 2 | 532 19 13-77 | Decal, Husqvarna |
| 3 | 532 18 10-34 | Decal, Danger, Deflector |
| 4 | 532 18 10-41 | Decal, Danger |
| 5 | 532 40 57-64 | Decal, Husqvarna, 924SBE |
| 6 | 532 18 10-32 | Decal, Instruction |
| 7 | 532 15 57-98 | Decal, Traction Lever |
| 8 | 532 15 58-00 | Decal, Auger Lever |
| 9 | 532 18 10-36 | Decal, Speed Control |
| 10 | 532 15 57-94 | Decal, Husqvarna, Crown |
| -- | 532 40 57-34 | Owner's Manual, English |
| -- | 532 40 80-88 | Owner's Manual, French |

NOTE: All component dimensions given in U.S. inches. 1 inch = 25.4 mm
IMPORTANT: Use only Original Equipment Manufacturer (O.E.M.) replacement parts.
Failure to do so could be hazardous, damage your snow thrower and void your warranty.